



Australian Government
Department of Industry,
Innovation and Science

National Measurement Institute

Supplementary Certificate of Approval

NMI S566

Issued by the Chief Metrologist under Regulation 60
of the
National Measurement Regulations 1999

This is to certify that an approval for use for trade has been granted in respect of the instruments herein described.

Anyload Model 563YH Load Cell

submitted by Associated Scale Services Pty Ltd
Unit 4, 47 Learoyd Road
Acacia Ridge QLD 4110

NOTE: This Certificate relates to the suitability of the pattern of the instrument for use for trade only in respect of its metrological characteristics. This Certificate does not constitute or imply any guarantee of compliance by the manufacturer or any other person with any requirements regarding safety.

This approval has been granted with reference to document NMI R 60, *Metrological Regulation for Load Cells*, dated July 2004.

This approval becomes subject to review on 1/09/17, and then every 5 years thereafter.

DOCUMENT HISTORY

Rev	Reason/Details	Date
0	Pattern & variant 1 approved – certificate issued	10/08/12
1	Variants 2 to 12 approved – certificate issued	25/10/16
2	Pattern & variants 1 to 12 updated – certificate issued	10/02/17
3	Variant 13 & 14 approved - certificate issued	10/05/17

CONDITIONS OF APPROVAL

General

Instruments purporting to comply with this approval shall be marked with approval number 'NMI S566' and only by persons authorised by the submittor.

Instruments incorporating a component purporting to comply with this approval shall be marked 'NMI S566' in addition to the approval number of the instrument, and only by persons authorised by the submittor.

It is the submittor's responsibility to ensure that all instruments marked with this approval number are constructed as described in the documentation lodged with the National Measurement Institute (NMI) and with the relevant Certificate of Approval and Technical Schedule. Failure to comply with this Condition may attract penalties under Section 19B of the National Measurement Act and may result in cancellation or withdrawal of the approval, in accordance with document NMI P 106.

The values of the performance criteria (maximum number of scale intervals etc.) applicable to an instrument incorporating the pattern approved herein shall be within the limits specified herein and in any approval documentation for the other components.

Signed by a person authorised by the Chief Metrologist to exercise their powers under Regulation 60 of the *National Measurement Regulations 1999*.



Dr A Rawlinson

TECHNICAL SCHEDULE No S566

1. Description of Pattern **approved on 10/08/12**

An Anyload model 563YH load cell of 500 kg maximum capacity (Figure 1 and Table 1).

1.1 Method of Mounting

Mounting is to be in accordance with the manufacturer's instructions and as shown in Figure 2.

1.2 Markings

Each load cell is marked with the following:

Manufacturer's mark, or name written in full	ANYLOAD, or Anyload Youngzon Transducer (Hangzhou) Co Ltd, China
Model number
Maximum capacity, E_{max} kg
Serial number
Pattern approval number	NMI No S566

1.3 Table of Specifications

Specifications for the pattern are given in Table 1.

2. Description of Variant 1 **approved on 10/08/12**

Certain other capacities and characteristics of the Anyload 563YH series as listed in Table 1.

TABLE 1

Model Number	563YH					
E_{max} (kg)	500	750	1000	1500	2000	2500
Class	C	C	C	C	C	C
nLC	4000	4000	4000	4000	4000	4000
V_{min} (kg)	0.033	0.050	0.067	0.100	0.133	0.167
DR (kg)	0.063	0.094	0.125	0.188	0.250	0.313
mV/V	3					
Input imp (Ω)	Nominal: 400 (350 Ω if stated on Data Plate)					
Voltage (V)	15					
Cable length (m)	Manufactured in various lengths between 1 and 15 metres; the cable length other than the nominal value of 6 meters depending to the model number in brackets, and so marked on the data plate.					
Number of leads	4 (plus shield)					

Where:

E_{max}	=	Maximum capacity
nLC	=	Maximum number of verification intervals
V_{min}	=	Minimum value of verification interval
DR	=	Minimum dead load output return value
mV/V	=	Output rating (nominal)
Input imp.	=	Input impedance (nominal)
Voltage	=	Maximum supply voltage (AC/DC)

3. Description of Variant 2

approved on 25/10/16

Certain high capacity versions of the Anyload 563YH series as listed in Table 2.

TABLE 2

Model Number	563YH		
E_{max} (kg)	3000	5000	10000
Class	C	C	C
nLC	6000	6000	6000
V_{min} (kg)	0.353	0.588	1.176
DR (kg)	0.060	0.100	0.200
mV/V	3		
Input imp (Ω)	Nominal: 400 (350 Ω if stated on Data Plate)		
Voltage (V)	15		
Cable length (m)	Manufactured in various lengths between 1 and 15 metres; the cable length other than the nominal value of 6 meters appending to the model number in brackets, and so marked on the data plate.		
Number of leads	4 (plus shield)		

4. Description of Variant 3

approved on 25/10/16

Certain capacities and characteristics of the Anyload 563YHFM series as listed in Table 3 and as shown in Figure 3.

TABLE 3

Model Number	563YHFM								
E_{max} (kg)	500	750	1000	1500	2000	2500	3000	5000	10000
Class	C	C	C	C	C	C	C	C	C
nLC	4000	4000	4000	4000	4000	4000	6000	6000	6000
V_{min} (kg)	0.033	0.050	0.067	0.100	0.133	0.167	0.353	0.588	1.176
DR (kg)	0.063	0.094	0.125	0.188	0.250	0.313	0.060	0.100	0.200
mV/V	3								
Input imp (Ω)	Nominal: 400 (350 Ω if stated on Data Plate)								
Voltage (V)	15								
Cable length (m)	Manufactured in various lengths between 1 and 15 metres; the cable length other than the nominal value of 6 meters appending to the model number in brackets, and so marked on the data plate.								
Number of leads	4 (plus shield)								

5. Description of Variant 4

approved on 25/10/16

Certain capacities and characteristics of the Anyload 563YHTH series as listed in Table 4 and as shown in Figure 4.

TABLE 4

Model Number	563YHTH								
E_{max} (kg)	500	750	1000	1500	2000	2500	3000	5000	10000
Class	C	C	C	C	C	C	C	C	C
nLC	4000	4000	4000	4000	4000	4000	6000	6000	6000
V_{min} (kg)	0.033	0.050	0.067	0.100	0.133	0.167	0.353	0.588	1.176
DR (kg)	0.063	0.094	0.125	0.188	0.250	0.313	0.060	0.100	0.200
mV/V	3								
Input imp (Ω)	Nominal: 400 (350 Ω if stated on Data Plate)								
Voltage (V)	15								
Cable length (m)	Manufactured in various lengths between 1 and 15 metres; the cable length other than the nominal value of 6 meters appending to the model number in brackets, and so marked on the data plate.								
Number of leads	4 (plus shield)								

6. Description of Variant 5

approved on 25/10/16

Certain capacities and characteristics of the Anyload 563YH43 series as listed in Table 5 and as shown in Figure 5.

TABLE 5

Model Number	563YH43								
E_{max} (kg)	500	750	1000	1500	2000	2500	3000	5000	10000
Class	C	C	C	C	C	C	C	C	C
nLC	4000	4000	4000	4000	4000	4000	6000	6000	6000
V_{min} (kg)	0.033	0.050	0.067	0.100	0.133	0.167	0.353	0.588	1.176
DR (kg)	0.063	0.094	0.125	0.188	0.250	0.313	0.060	0.100	0.200
mV/V	3								
Input imp (Ω)	Nominal: 350 (400 Ω if stated on Data Plate)								
Voltage (V)	15								
Cable length (m)	Manufactured in various lengths between 1 and 15 metres; the cable length other than the nominal value of 6 meters appending to the model number in brackets, and so marked on the data plate.								
Number of leads	4 (plus shield)								

7. Description of Variant 6

approved on 25/10/16

Certain capacities and characteristics of the Anyload 563YHFK series as listed in Table 6 and as shown in Figure 6.

TABLE 6

Model Number	563YHFK									
E_{max} (kg)	500	750	1000	1500	2000	2500	3000	5000	10000	15000
Class	C	C	C	C	C	C	C	C	C	C
nLC	5000	5000	5000	5000	5000	5000	6000	6000	6000	6000
V_{min} (kg)	0.019	0.029	0.038	0.058	0.077	0.096	0.353	0.588	1.176	1.765
DR (kg)	0.045	0.068	0.091	0.136	0.182	0.227	0.060	0.100	0.200	0.300
mV/V	2.2									
Input imp (Ω)	Nominal: 385 (350 Ω or 400 Ω if stated on Data Plate)									
Voltage (V)	15									
Cable length (m)	Manufactured in various lengths between 1 and 15 metres; the cable length other than the nominal value of 6 meters depending to the model number in brackets, and so marked on the data plate.									
Number of leads	4 (plus shield)									

8. Description of Variant 7

approved on 25/10/16

Certain capacities and characteristics of the Anyload 563YS series as listed in Table 7 and as shown in Figure 7.

TABLE 7

Model Number	563YS									
E_{max} (kg)	500	750	1000	1500	2000	2500	3000	5000	10000	15000
Class	C	C	C	C	C	C	C	C	C	C
nLC	5000	5000	5000	5000	5000	5000	6000	6000	6000	6000
V_{min} (kg)	0.019	0.029	0.038	0.058	0.077	0.096	0.353	0.588	1.176	1.765
DR (kg)	0.045	0.068	0.091	0.136	0.182	0.227	0.060	0.100	0.200	0.300
mV/V	2									
Input imp (Ω)	Nominal: 350 (400 Ω if stated on Data Plate)									
Voltage (V)	15									
Cable length (m)	Manufactured in various lengths between 1 and 15 metres; the cable length other than the nominal value of 6 meters depending to the model number in brackets, and so marked on the data plate.									
Number of leads	4 (plus shield)									

9. Description of Variant 8

approved on 25/10/16

Certain capacities and characteristics of the Anyload 563YSRS series as listed in Tables 8a & 8b and as shown in Figure 8.

TABLE 8a

Model Number	563YSRS						
E_{max} (kg)	500	750	1000	1134	1500	1814	2000
Class	C	C	C	C	C	C	C
nLC	4000	4000	4000	4000	4000	4000	4000
V_{min} (kg)	0.033	0.050	0.067	0.076	0.100	0.121	0.133
DR (kg)	0.063	0.094	0.125	0.142	0.188	0.227	0.250
mV/V	3						
Input imp (Ω)	Nominal: 350 (400 Ω if stated on Data Plate)						
Voltage (V)	15						
Cable length (m)	Manufactured in various lengths between 1 and 15 metres; the cable length other than the nominal value of 6 meters appending to the model number in brackets, and so marked on the data plate.						
Number of leads	4 (plus shield)						

TABLE 8b

Model Number	563YSRS			
E_{max} (kg)	2268	2500	3000	4536
Class	C	C	C	C
nLC	4000	4000	6000	6000
V_{min} (kg)	0.151	0.167	0.353	0.534
DR (kg)	0.284	0.313	0.060	0.091
mV/V	3			
Input imp (Ω)	Nominal: 350 (400 Ω if stated on Data Plate)			
Voltage (V)	15			
Cable length (m)	Manufactured in various lengths between 1 and 15 metres; the cable length other than the nominal value of 6 meters appending to the model number in brackets, and so marked on the data plate.			
Number of leads	4 (plus shield)			

10. Description of Variant 9

approved on 25/10/16

Certain capacities and characteristics of the Anyload 563YHMS series as listed in Tables 9a & 9b and as shown in Figure 9.

TABLE 9a

Model Number	563YHMS						
E_{max} (kg)	500	750	1000	1134	1500	1814	2000
Class	C	C	C	C	C	C	C
nLC	5000	5000	5000	5000	5000	5000	5000
V_{min} (kg)	0.019	0.029	0.038	0.044	0.058	0.070	0.077
DR (kg)	0.045	0.068	0.091	0.103	0.136	0.165	0.182
mV/V	2						
Input imp (Ω)	Nominal: 350 (400 Ω if stated on Data Plate)						
Voltage (V)	15						
Cable length (m)	Manufactured in various lengths between 1 and 15 metres; the cable length other than the nominal value of 6 meters appending to the model number in brackets, and so marked on the data plate.						
Number of leads	4 (plus shield)						

TABLE 9b

Model Number	563YHMS							
E_{max} (kg)	2268	2500	3000	4536	5000	9072	10000	15000
Class	C	C	C	C	C	C	C	C
nLC	5000	5000	6000	6000	6000	6000	6000	6000
V_{min} (kg)	0.087	0.096	0.353	0.534	0.588	1.067	1.176	1.765
DR (kg)	0.206	0.227	0.060	0.091	0.100	0.181	0.200	0.300
mV/V	2							
Input imp (Ω)	Nominal: 350 (400 Ω if stated on Data Plate)							
Voltage (V)	15							
Cable length (m)	Manufactured in various lengths between 1 and 15 metres; the cable length other than the nominal value of 6 meters appending to the model number in brackets, and so marked on the data plate.							
Number of leads	4 (plus shield)							

11. Description of Variant 10

approved on 25/10/16

Certain capacities and characteristics of the Anyload 563YSSB series as listed in Tables 10a & 10b and as shown in Figure 10.

TABLE 10a

Model Number	563YSSB						
E_{max} (kg)	500	750	1000	1134	1500	1814	2000
Class	C	C	C	C	C	C	C
nLC	5000	5000	5000	5000	5000	5000	5000
V_{min} (kg)	0.019	0.029	0.038	0.044	0.058	0.070	0.077
DR (kg)	0.045	0.068	0.091	0.103	0.136	0.165	0.182
mV/V	2						
Input imp (Ω)	Nominal: 350 (400 Ω if stated on Data Plate)						
Voltage (V)	15						
Cable length (m)	Manufactured in various lengths between 1 and 15 metres; the cable length other than the nominal value of 6 meters appending to the model number in brackets, and so marked on the data plate.						
Number of leads	4 (plus shield)						

TABLE 10b

Model Number	563YSSB							
E_{max} (kg)	2268	2500	3000	4536	5000	9072	10000	15000
Class	C	C	C	C	C	C	C	C
nLC	5000	5000	6000	6000	6000	6000	6000	6000
V_{min} (kg)	0.087	0.096	0.353	0.534	0.588	1.067	1.176	1.765
DR (kg)	0.206	0.227	0.060	0.091	0.100	0.181	0.200	0.300
mV/V	2							
Input imp (Ω)	Nominal: 350 (400 Ω if stated on Data Plate)							
Voltage (V)	15							
Cable length (m)	Manufactured in various lengths between 1 and 15 metres; the cable length other than the nominal value of 6 meters appending to the model number in brackets, and so marked on the data plate.							
Number of leads	4 (plus shield)							

12. Description of Variant 11

approved on 25/10/16

Certain capacities and characteristics of the Anyload 563YSMT series as listed in Tables 11a & 11b and as shown in Figure 11.

TABLE 11a

Model Number	563YSMT						
E_{max} (kg)	500	750	1000	1134	1500	1814	2000
Class	C	C	C	C	C	C	C
nLC	5000	5000	5000	5000	5000	5000	5000
V_{min} (kg)	0.019	0.029	0.038	0.044	0.058	0.070	0.077
DR (kg)	0.045	0.068	0.091	0.103	0.136	0.165	0.182
mV/V	2						
Input imp (Ω)	Nominal: 350 (400 Ω if stated on Data Plate)						
Voltage (V)	15						
Cable length (m)	Manufactured in various lengths between 1 and 15 metres; the cable length other than the nominal value of 6 meters appending to the model number in brackets, and so marked on the data plate.						
Number of leads	4 (plus shield)						

TABLE 11b

Model Number	563YSMT							
E_{max} (kg)	2268	2500	3000	4536	5000	9072	10000	15000
Class	C	C	C	C	C	C	C	C
nLC	5000	5000	6000	6000	6000	6000	6000	6000
V_{min} (kg)	0.087	0.096	0.353	0.534	0.588	1.067	1.176	1.765
DR (kg)	0.206	0.227	0.060	0.091	0.100	0.181	0.200	0.300
mV/V	2							
Input imp (Ω)	Nominal: 350 (400 Ω if stated on Data Plate)							
Voltage (V)	15							
Cable length (m)	Manufactured in various lengths between 1 and 15 metres; the cable length other than the nominal value of 6 meters appending to the model number in brackets, and so marked on the data plate.							
Number of leads	4 (plus shield)							

13. Description of Variant 12

approved on 25/10/16

Certain capacities and characteristics of the Anyload 563YS30 series as listed in Table 12 and as shown in Figure 12.

TABLE 12

Model Number	563YS30								
E_{max} (kg)	500	750	1000	1500	2000	2500	3000	5000	10000
Class	C	C	C	C	C	C	C	C	C
nLC	4000	4000	4000	4000	4000	4000	6000	6000	6000
V_{min} (kg)	0.033	0.050	0.067	0.100	0.133	0.167	0.353	0.588	1.176
DR (kg)	0.063	0.094	0.125	0.188	0.250	0.313	0.060	0.100	0.200
mV/V	3								
Input imp (Ω)	Nominal: 350 (400 Ω if stated on Data Plate)								
Voltage (V)	15								
Cable length (m)	Manufactured in various lengths between 1 and 15 metres; the cable length other than the nominal value of 6 meters appending to the model number in brackets, and so marked on the data plate.								
Number of leads	4 (plus shield)								

14. Description of Variant 13

approved on 10/05/17

The model number of the pattern and variants 1 to 12 may have a prefix 'SW', for example Anyload model SW563YH.

15. Description of Variant 14

approved on 10/05/17

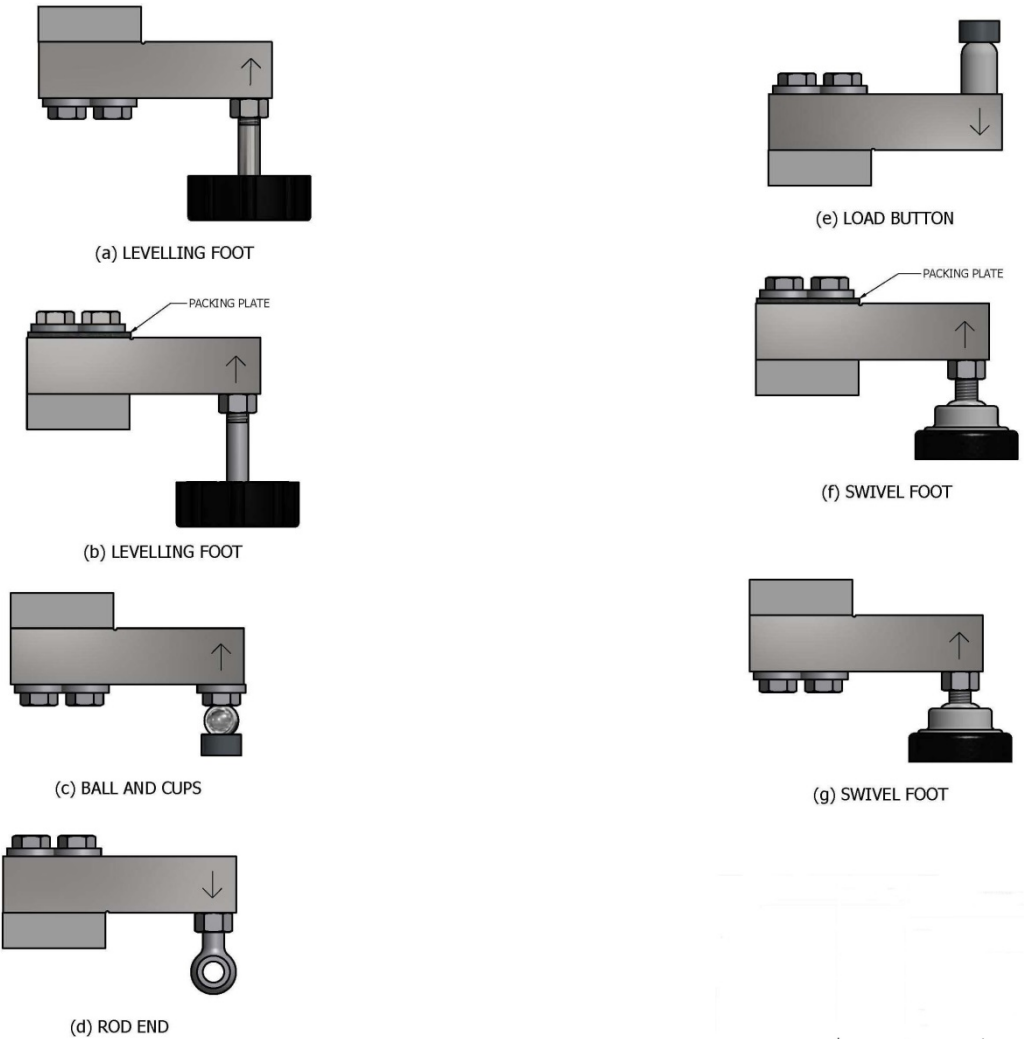
The pattern and variants may also be known as SUPPLYWEIGH model 563# or model SW563#, where # represents the load cell model.

FIGURE S566 – 1



Anyload Model 563YH Series Load Cell

FIGURE S566 – 2



Alternative Mounting Arrangements

FIGURE S566 – 3



Anyload Model 563YHFM Series Load Cell

FIGURE S566 – 4



Anyload Model 563YHTH Series Load Cell

FIGURE S566 – 5



Anyload Model 563YH43 Series Load Cell

FIGURE S566 – 6



Anyload Model 563YHFK Series Load Cell

FIGURE S566 – 7



Anyload Model 563YS Series Load Cell

FIGURE S566 – 8



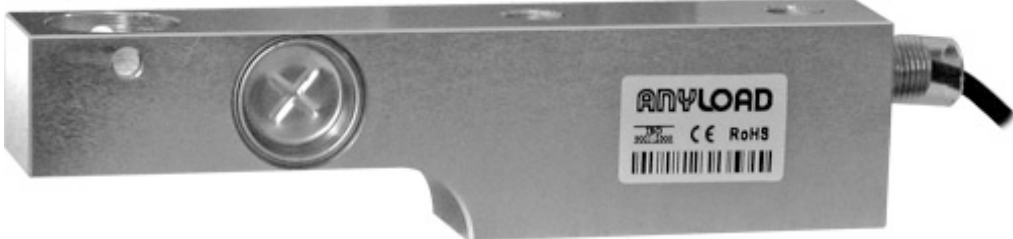
Anyload Model 563YSRS Series Load Cell

FIGURE S566 – 9



Anyload Model 563YHMS Series Load Cell

FIGURE S566 – 10



Anyload Model 563YSSB Series Load Cell

FIGURE S566 – 11



Anyload Model 563YSMT Series Load Cell

FIGURE S566 – 12



Anyload Model 563YS30 Series Load Cell

~ End of Document ~