

563YS30

Single Ended Beam

IP68

STAINLESS STEEL
WELDED SEAL

Options:

- FM, ATEX, IECEx Approved



563YSM3-02

Compression Weigh Module

Features:

- Anti-lifting and overloading protection
- Rocker pin loading design
- Equipped with lateral stops



Plate included for easy installation.





Complete Kit Includes

- ✓ 563YS30 Load Cells
- ✓ 563YSM3-02 Mounts
- ✓ Junction Box (Signal or Exc)
- ✓ Load Cell Cable

Part Number / Capacity	J-Box	Cable
3 Module Kit	*J-Box (specify model when ordering)	
MK3-563YSM3- 1Klb -S	J04SS	1 roll (65ft/20m)
MK3-563YSM3- 2.5Klb -S		
MK3-563YSM3- 4Klb -S		
MK3-563YSM3- SE5Klb -S		
MK3-563YSM3- 5Klb -S		
MK3-563YSM3- 10Klb -S		
4 Module Kit	*J-Box (specify model when ordering)	
MK4-563YSM3- 1Klb -S	J04SS	1 roll (65ft/20m)
MK4-563YSM3- 2.5Klb -S		
MK4-563YSM3- 4Klb -S		
MK4-563YSM3- SE5Klb -S		
MK4-563YSM3- 5Klb -S		
MK4-563YSM3- 10Klb -S		

Features

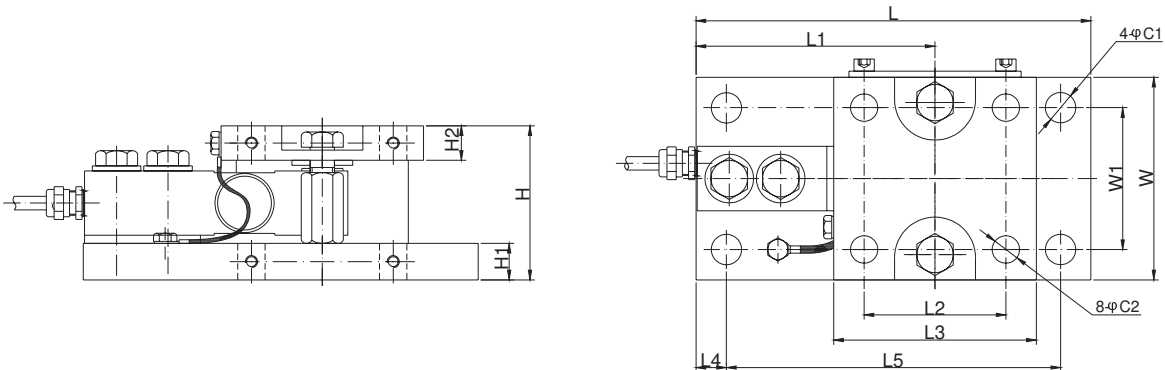
- Capacities (per module) 500lb-10,000 lb
- Low maintenance, High performance
- Anti-lifting and overloading protection
- Rocker pin loading design
- Equipped with lateral stops

Applications

- Light to medium tanks and hoppers

J-Box Options: Signal or Excitation / Aluminum, Stainless Steel or Fiberglass Enclosure

Drawings



Dimensions (inches)

Capacity	C1	C2	H	H1	H2	L	L1	L2	L3	L4	L5	W	W1
500lb-4Klb; SE5Klb	0.59	0.53	2.99	0.71	0.67	7.68	4.65	2.76	3.94	0.59	6.50	3.94	2.76
5-10Klb	0.71	0.59	4.33	1.06	0.98	9.57	6.00	3.35	4.72	0.75	8.07	4.72	3.35