

563YH-23

Single Ended Beam

IP67

NICKLE PLATED
ALLOY STEEL

Options:

- FM, ATEX, IECEx Approved

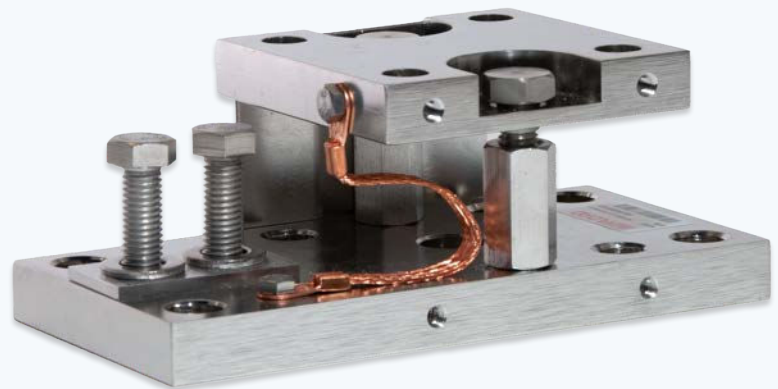


563YHM4-02

Compression Weigh Module

Features:

- Both uplift and overload protection with lateral stops
- Versatile mounting options for conventional tank/vessel leg
- Flexible stainless steel braided grounding strap





Complete Kit Includes

- ✓ 563YH-23 Load Cells
- ✓ 563YHM4 Mounts
- ✓ Load Cell Cable
- ✓ Junction Box (Signal Trim)

Features

- Capacities (per module) 250lb -20,000lb
- Integral jacking for easy load cell removal/installation
- Allows for multi-directional movements in the horizontal plane
- Rocker pin design-allows for 360 thermal expansion
- Versatile mounting options for conventional tank/vessel leg
 - o Able to use existing 4-square tank leg mount holes in floor
 - o Free to rotate for fixed position 360 w/ same 4-mount holes
 - o Able to flip entire mount 180 for further mount options
- Flexible stainless steel braided grounding strap

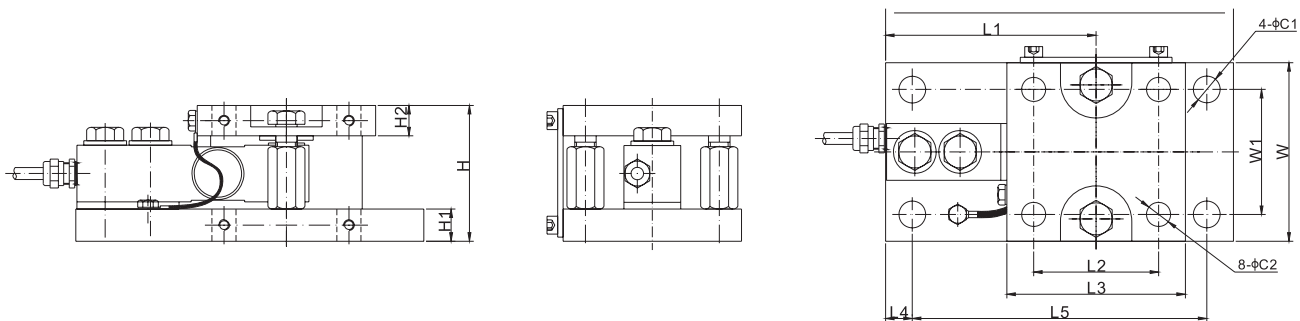
Applications

- Outdoor Tank and Vessel Weighing

Part Number / Capacity	J-Box	Cable
3 Module Kit	*J-Box (specify model when ordering)	
MK3-563YHM4- 250lb -S	J04SA-16	1 roll (65ft/20m)
MK3-563YHM4- 500lb -S		
MK3-563YHM4- 1Klb -S		
MK3-563YHM4- 2Klb -S		
MK3-563YHM4- 2.5Klb -S		
MK3-563YHM4- 4Klb -S		
MK3-563YHM4- 5E5Klb -S		
MK3-563YHM4- 5Klb -S		
MK3-563YHM4- 10Klb -S		
4 Module Kit	*J-Box (specify model when ordering)	
MK4-563YHM4- 250lb -S	J04SA-16	1 roll (65ft/20m)
MK4-563YHM4- 500lb -S		
MK4-563YHM4- 1Klb -S		
MK4-563YHM4- 2Klb -S		
MK4-563YHM4- 2.5Klb -S		
MK4-563YHM4- 4Klb -S		
MK4-563YHM4- 5E5Klb -S		
MK4-563YHM4- 5Klb -S		
MK4-563YHM4- 10Klb -S		

MK4 J-Box: Signal or Excitation / Aluminum, Stainless Steel or Fiberglass Enclosure

Drawings



Dimensions (inches)

Capacity	H	H1	H2	L	L1	L2	L3	L4	L5	W	W1	C1	C2
100lb-4,000Klb;SE5,000Klb	2.99	0.71	0.67	7.68	4.65	2.76	3.94	0.59	6.50	3.94	2.76	0.59	0.53
5,000-10,000Klb	4.33	1.06	0.98	9.57	6.00	3.35	4.72	0.75	8.07	4.72	3.35	0.71	0.59
15,000-20,000Klb	5.73	1.42	1.26	12.52	7.76	4.09	5.98	1.00	10.52	5.98	4.09	0.87	0.79