

102TH

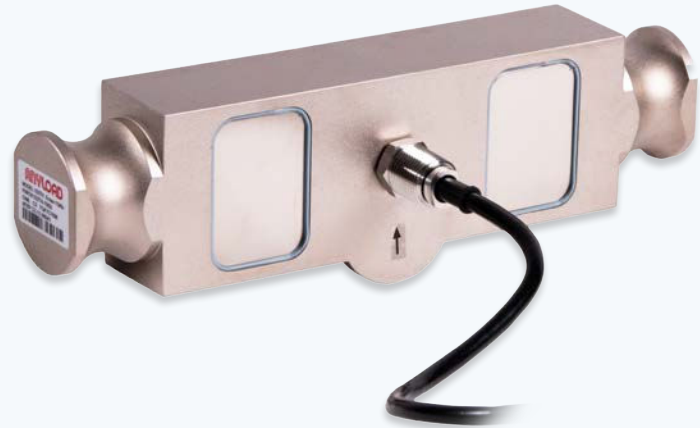
Double Ended Beam

IP67

NICKLE PLATED
ALLOY STEEL

Options:

- Lightning Protection
- Rodent Protection Cable
- FM, ATEX, IECEx Approved



102THM5

Compression Weigh Module

Features:

- Center pivoted, end loaded and self centering
- Multi-directional movements in the horizontal plane
- No check rods required
- Links provide optimal loading conditions for the load cell





Complete Kit Includes

- ✓ 102TH Load Cells
- ✓ 102THM5 Mounts
- ✓ Junction Box (Signal or Exc)
- ✓ Load Cell Cable

Part Number / Capacity	J-Box	Cable
4 Module Kit	*J-Box (specify model when ordering)	
MK4-102THM5- 50Klb -S	J04SA-16	1 roll (65ft/20m)
MK4-102THM5- 60Klb -S		
MK4-102THM5- 75Klb -S		
6 Module Kit	*J-Box (specify model when ordering)	
MK6-102THM5- 50Klb -S	J06SS	1 roll (65ft/20m)
MK6-102THM5- 60Klb -S		
MK6-102THM5- 75Klb -S		
8 Module Kit	*J-Box (specify model when ordering)	
MK8-102THM5- 50Klb -S	J08SS	1 roll (65ft/20m)
MK8-102THM5- 60Klb -S		
MK8-102THM5- 75Klb -S		

Features

- Capacities (per module) 50,000-75,000 lb
- Center pivoted, end loaded, self centering
- Allows for multi-directional movements in the horizontal plane
- Links provide optimal loading conditions

Applications

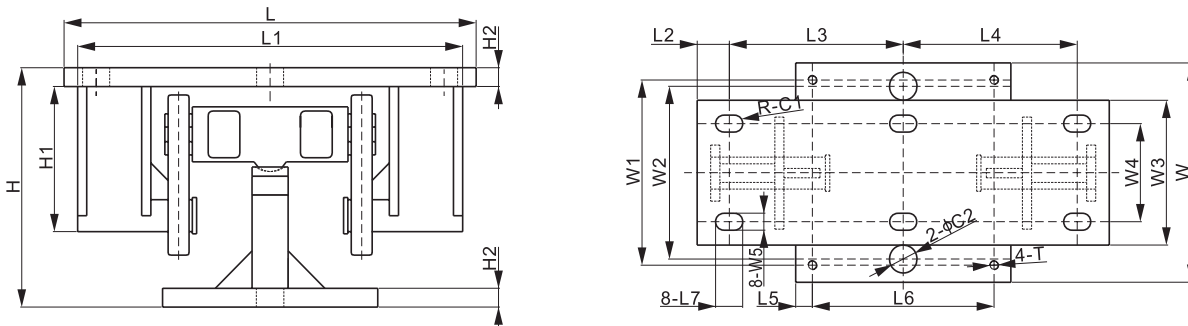
- Conversion on Truck Scales, Cattle Scales & Platform Scales

MK4 J-Box: Signal or Excitation / Aluminum, Stainless Steel or Fiberglass Enclosure

MK6 J-Box: Signal or Excitation

MK8 J-Box: Signal or Excitation / Aluminum, Stainless Steel or Fiberglass Enclosure

Drawings



Dimensions (inches)

Capacity	C1	C2	H	H1	H2	L	L1	L2	L3	L4	L5	L6	L7	W	W1	W2	W3	W4	W5	T
50-75Klb	R0.45	1.5	12.82	7.78	1.00	22.5	21.02	1.75	9.50	9.50	0.91	9.92	1.48	11.75	9.92	9.25	7.75	5.25	0.91	1/2-20UNF