

### 102DS

Double Ended Beam

IP68

STAINLESS STEEL  
WELDED SEAL

Options:

- FM, ATEX, IECEx Approved



### 102DSM3

Compression Weigh Module

Features:

- Center pivoted and self-checking with anti-lifting
- Sliding pin design for thermal expansion and contraction





### Complete Kit Includes

- ✓ 102DS Load Cells
- ✓ 102DSM3 Mounts
- ✓ Junction Box (Signal or Exc)
- ✓ Load Cell Cable

Part Number / Capacity	J-Box	Cable
<b>3 Module Kit</b>	*J-Box (specify model when ordering)	
MK3-102DSM3- <b>10Klb-S</b>	<b>J04SS</b>	1 roll (65ft/20m)
MK3-102DSM3- <b>20Klb-S</b>		
MK3-102DSM3- <b>50Klb-S</b>		
MK3-102DSM3- <b>60Klb-S</b>		
<b>4 Module Kit</b>	*J-Box (specify model when ordering)	
MK4-102DSM3- <b>10Klb-S</b>	<b>J04SS</b>	1 roll (65ft/20m)
MK4-102DSM3- <b>20Klb-S</b>		
MK4-102DSM3- <b>50Klb-S</b>		
MK4-102DSM3- <b>60Klb-S</b>		

### Features

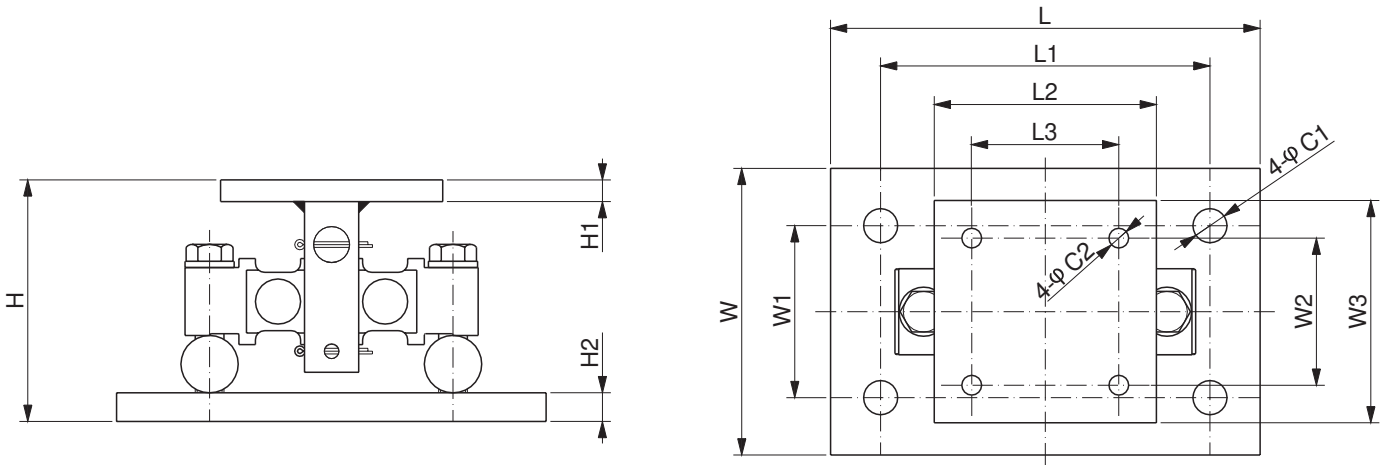
- Capacities (per module) 5Klb-200Klb
- Center pivoted and self-checking with anti-lifting
- Sliding pin design for thermal expansion and contraction

### Applications

- Medium to heavy capacity tanks & hoppers

**J-Box Options:** Signal or Excitation / Aluminum, Stainless Steel or Fiberglass Enclosure

### Drawings



### Dimensions (inches)

Capacity	C1	C2	H	H1	H2	L	L1	L2	L3	W	W1	W2	W3
5-20Klb	1.06	0.56	5.30	0.50	0.75	11	8.00	5.50	3.00	7.50	4.00	3.00	5.50
30-75Klb	1.19	0.68	8.41	0.75	0.94	15	11.5	7.76	5.12	10.00	6.00	5.12	7.76
100Klb	1.38	0.81	9.27	1.00	1.25	18	14.0	10.0	7.50	12.00	9	7.50	10.0
150Klb	1.38	0.81	9.62	1.00	1.25	18	14.0	10.0	7.50	12.00	9	7.50	10.0
200-250Klb	1.88	1.06	14.58	1.25	1.50	24	20.0	12.0	9.00	12.00	8	9.00	12.0