

### 101NH

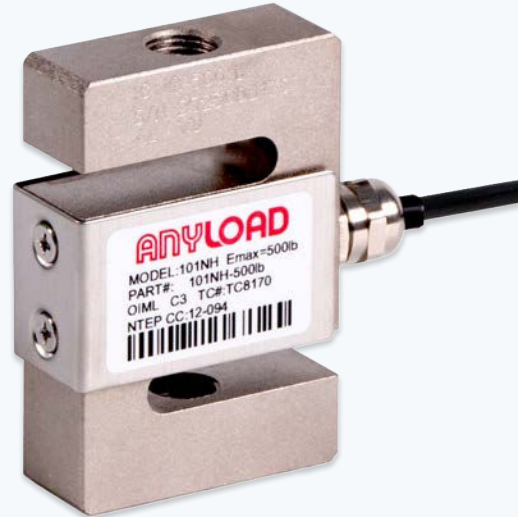
S-Beam Load Cell

IP67

ALLOY STEEL

#### Options:

- 35ft (10.5m) Cable
- With Flexible Strain Relief
- FM, ATEX, IECEx Approved



### 101NHM2

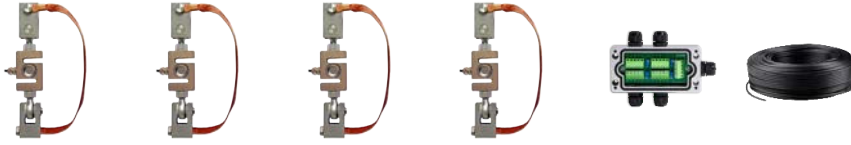
Tension Weigh Module

ALLOY STEEL

#### Features:

- High accuracy tension loading
- Grounding strap included to divert stray currents and protect the load cell





Part Number / Capacity	J-Box	Cable
<b>3 Module Kit</b>	*J-Box (specify model when ordering)	
MK3-101NHM2- <b>250lb-S</b>	<b>J04SA-16</b>	1 roll (65ft/20m)
MK3-101NHM2- <b>500lb-S</b>		
MK3-101NHM2- <b>1Klb-S</b>		
MK3-101NHM2- <b>1.5Klb-S</b>		
MK3-101NHM2- <b>2Klb-S</b>		
MK3-101NHM2- <b>5Klb-S</b>		
MK3-101NHM2-E- <b>10Klb-S</b>		
<b>4 Module Kit</b>	*J-Box (specify model when ordering)	
MK4-101NHM2- <b>250lb-S</b>	<b>J04SA-16</b>	1 roll (65ft/20m)
MK4-101NHM2- <b>500lb-S</b>		
MK4-101NHM2- <b>1Klb-S</b>		
MK4-101NHM2- <b>1.5Klb-S</b>		
MK4-101NHM2- <b>2Klb-S</b>		
MK4-101NHM2- <b>5Klb-S</b>		
MK4-101NHM2-E- <b>10Klb-S</b>		

## Complete Kit Includes

- ✓ 101NH Load Cells
- ✓ 101NHM2 Mounts
- ✓ Junction Box (Signal or Exc)
- ✓ Load Cell Cable

## Features

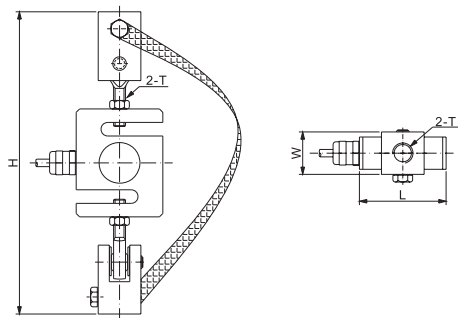
- Capacities (per module) 50lb-10,000lb
- Stray currents can go through the grounding strap bypassing the load cell
- High accuracy tension loading
- Grounding strap included to divert stray currents and protect the load cell

## Applications

- Concrete Batching Plants
- Suspended Hoppers & Tanks
- Tension & Compression Force Testing

**MK4 J-Box:** Signal or Excitation / Aluminum, Stainless Steel or Fiberglass Enclosure

## Drawings



## Dimensions (inches)

Capacity	H <sub>Min/Max</sub>	W	L	T	T1
50-250lb	6.69/7.09	0.99	2.00	1/4-28 UNF-2A	1/2-13 UNC-2B
500lb-2,000Klb	9.57/9.88	1.58	2.00	1/2-20 UNF-2A	3/4-10 UNC-2B
500lb-2,000Klb (-A)	9.57/9.88	1.58	2.00	1/2-20 UNF-2A	1/2-13 UNC
5,000Klb	12.13/12.60	2.16	3.00	3/4-16 UNF-2A	3/4-10 UNC-2B
10,000Klb	17.17/18.07	3.15	3.15	3/4-16 UNF-2A	1-8 UNC-2B