

J04EP-E; J04SP-E

Features:

- Number of load cells: up to 4 single cells
- Expansion port to/for additional J-Box
- Section and individual load cell trim pots
- Lightning/ Overvoltage protection
- Quick removeable load cell connectors to check integrity
- Preinstalled GORE breather vent
- Load cell shielding remains separate from earth ground terminal
- IP Rating: **IP67**



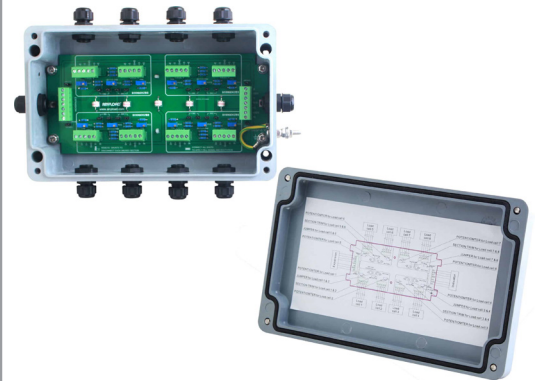
SCAN FOR
PRODUCT PAGE



J08EP-E; J08SP-E

Features:

- Number of load cells: up to 8 single cells
- Expansion port to/for additional J-Box
- Section and individual load cell trim pots
- Lightning/ Overvoltage protection
- Quick removeable load cell connectors to check integrity
- Switchable On/Off power per channel
- Preinstalled GORE breather vent
- Load cell shielding remains separate from earth ground terminal
- IP Rating: **IP67**

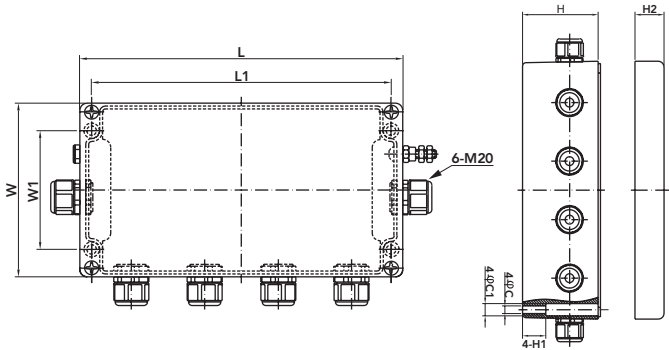


SCAN FOR
PRODUCT PAGE



J04EP-E, J04SP-E

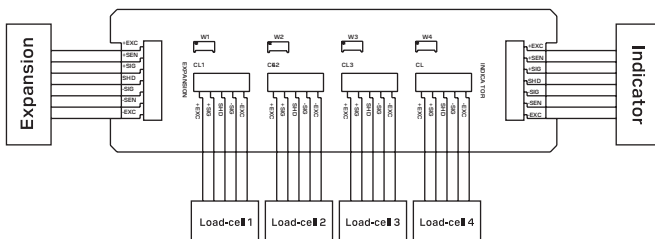
Part Number	Trimming	Weight
J04EP-E-D2	Excitation	1.5kg
J04SP-E-D2	Signal	1.5kg



Dimension (inch)

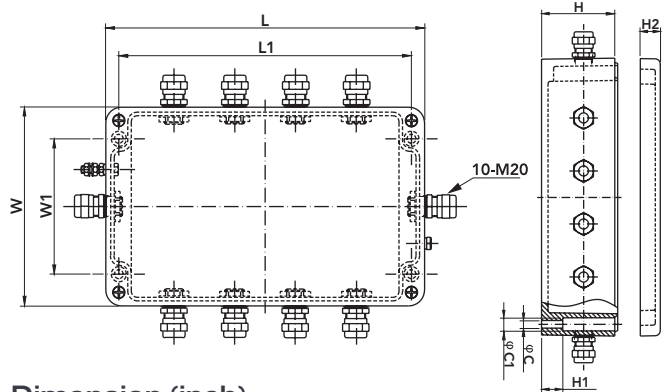
H	2.56	L	8.66	W	4.72
H1	0.79	L1	8.03	W1	3.23
H2	1.00	C	0.26	C1	0.41

Motherboard Layout



J08EP-E, J08SP-E

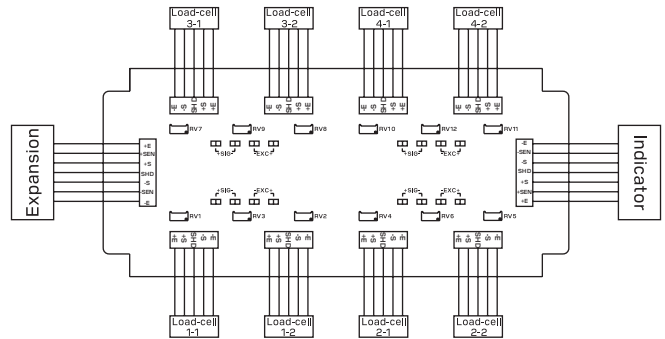
Part Number	Trimming	Weight
J08EP-E-03B	Excitation	2.5kg
J08SP-E-03B	Signal	2.5kg



Dimension (inch)

H	2.8	L	10.3	W	6.4
H1	0.8	L1	9.4	W1	4.3
H2	0.8	C	0.3	C1	0.5

Motherboard Layout



Trimming Range

Load Cell Resistance	J04SP & J08SP	J04EP & J08EP
	Signal Trim	Excitation Trim
350Ω	3.6% of output	5.4% of output
700Ω	6.3% of output	2.7% of output
1000Ω	8.0% of output	1.9% of output

Cable Fittings - Input & Output M20: 6-12mm diameter cable