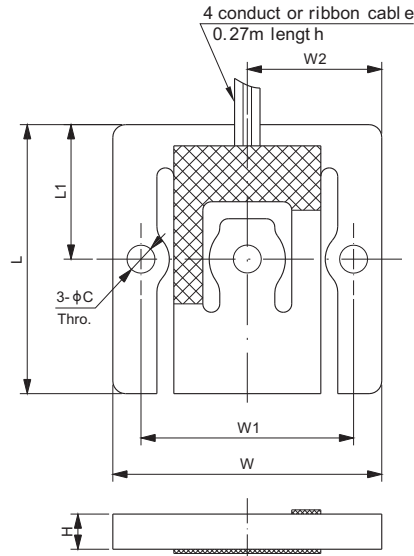


Alloy Steel



Designed & made for extreme high resolution balance.



DIMENSIONS

RATED CAPACITY	C	H	L	L1	W	W1	W2
kg/mm							
250	6.6	8.3	63.5	31.8	63.5	50.2	31.8
lb/inches (conversion of above dimensions)							
551.2	0.26	0.33	2.50	1.25	2.50	1.98	1.25

SPECIFICATIONS

Full Scale Output	0.9 mV/V ± 0.1%	Recommended Excitation	10V (15V Maximum)
Calibration in mV/V/Ω	± 0.05%	Insulation Resistance	>2 [50V DC] GΩ
Zero Balance	± 0.02 mV/V	Nominal Temperature Range	-10°C to 50°C / 14°F to 122°F
Non-linearity	< ± 0.01%	Safe Overload	150% of full scale
Repeatability	< ± 0.01%	Breaking Overload	300% of full scale
Hysteresis Error	< ± 0.01%	Seal Type / IP Rating	Environmentally Sealed / IP65
Creep in 30 min.	< ± 0.01%	Cable Color Code	Exc+ Red Exc- Black Sig+ Green Sig- White
Input Resistance	1204 Ω ± 5		
Output Resistance	1000 Ω ± 10		
Element Material	Alloy Steel		

PART NUMBER*

Rated Capacity	Part No.	Weight (kg) Approx.
250kg.....	202WH-250kg.....	0.2

* ATEX, FM, IECEx approved versions carry the "-Ex" suffix.

INSTALLATION DRAWING

