

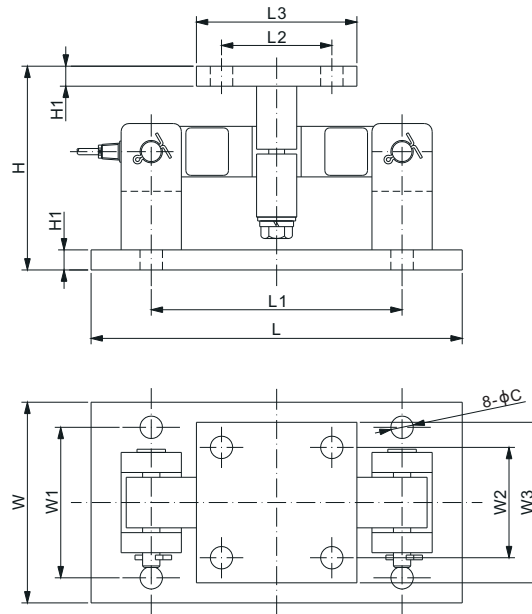
### Features:

- Assembles: 102ES double ended beam load cell
- Capacities: 1Klb-25Klb
- Self-checking with anti-lifting protection

### Load Cell Certifications:



Load Cell Not Included.



### DIMENSIONS

LOAD CELL CAPACITY	C	H	H1	L	L1	L2	L3	W	W1	W2	W3
<b>Klb/inches</b>											
1-5	0.56	5.00	0.50	9.25	6.25	2.75	4.00	5.00	3.75	2.75	4.00
10-25	0.81	7.89	0.75	12.00	7.50	6.00	8.00	8.00	6.00	6.00	8.00
<b>kg/mm</b> (conversion of above dimensions)											
453.6-2,268	14.2	127.0	12.7	235.0	158.8	69.9	101.6	127.0	95.3	69.9	101.6
4,535.9-11,339.8	20.6	200.4	19.0	304.8	190.5	152.4	203.2	203.2	152.4	152.4	203.2

### PART NUMBER

Load Cell Capacity	Part No.	Shipping Weight (kg) Approx.
1Klb-5Klb .....	102ESM2-(1-5)Klb .....	7.7
10Klb-25Klb.....	102ESM2-(10-25)Klb.....	30.0

### INTERCHANGEABLE REFERENCE

Manufacturer	Model
Mettler Toledo.....	VLM3S

### AVAILABLE OPTION

- Alloy steel: 102EHM2