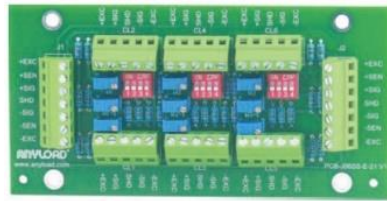


ANYLOAD[®]

Analog Retrofit Kit (MK6-106TS) for Mettler Toledo[®] MTX & PDX



I. ABOUT THIS MANUAL

Thank you for choosing Anyload Analog Load Cell Retrofit Kit **MK6-106TS** to replace MTX & PDX. This manual provides how to install 106TS analog load cells and load cell summing board to replace MTX and PDX. This manual is intended to be used by trained service technicians and installers. It is recommended to go through the manual in detail before installing, operating, or configuring the instrument. For further information please contact Anyload or authorized dealer.

II. DISCLAIMER




Information in this Technical Manual is subject to change without notice due to correction or enhancement. The information described in this manual is the property of Anyload. All other brand or product names within this publication are trademarks or registered trademarks of their respective companies. All information contained within this publication is, to the best of our knowledge, complete and accurate at the time of publication.

ANYLOAD[®] is a registered trademark of Anyload. All rights reserved.

III. SAFETY

Standard safety practices are required before conducting any installation, maintenance, or procedure on device. It is recommended to read and understand the instructions and warnings in this manual before performing any procedure on device. Failure to follow the instructions and warnings could result in injury or death.

Definition of the safety symbols is described in table below.

Symbol	Description
	WARNING! Indicates a potentially hazardous situation which may result in serious injury or death Indicates a potentially dangerous procedure which may cause injury or death
	CAUTION! Indicates a potentially wrong procedure which may result in damage to device Indicates a potentially wrong procedure which may result in loss of warranty
	NOTICE! Indicates a procedure which may need more instructions Indicates a procedure which has more information available

1. Main Features

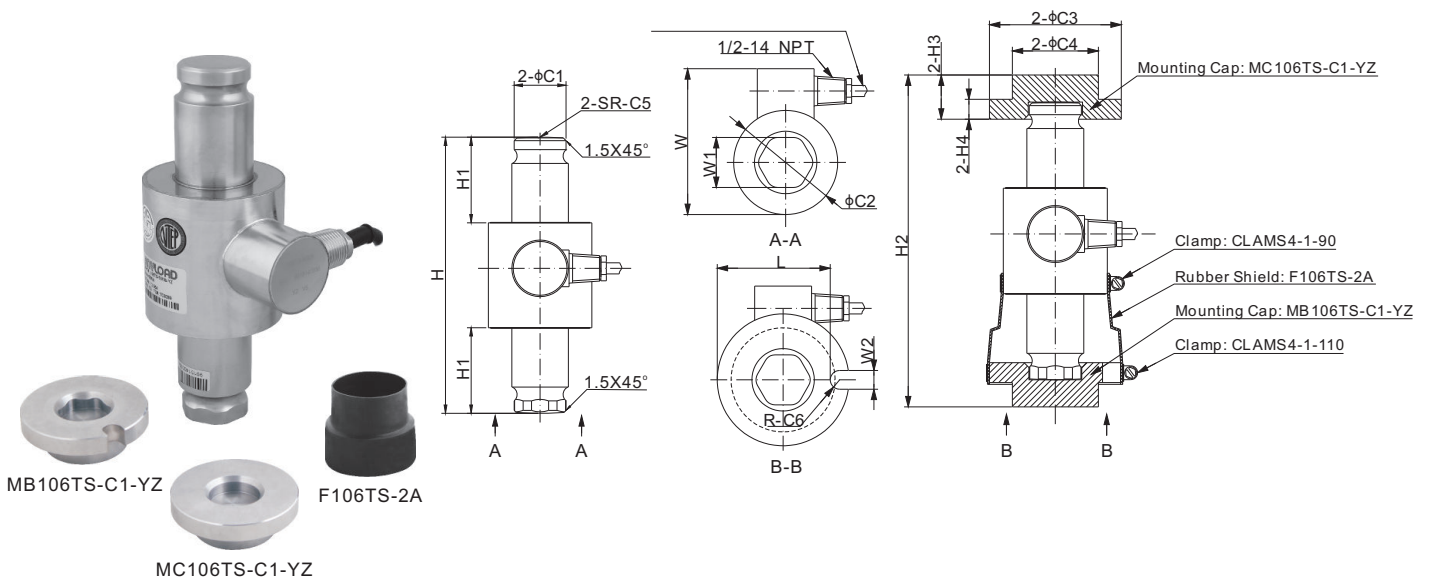
- Stainless steel weld sealed load cells
- Stainless steel cups
- Anti-rotation mechanism with the bottom cup
- Conversion kit for PDX & MTX
- Includes 6 load cells per kit
- Heavy-duty compression load cells with self-centering rocker column
- NTEP & OIML approved load cells
- Rugged enclosure for load cell element body protection
- 60 ft (18m) long load cell cable
- Optional rubber boot for extra protection of the load cell from harsh environment
- Switchable on/off power per channel in junction box
- Section and individual load cell trim pots
- Conformal coated circuit board
- Expansion port to/from additional J-box
- 100ft, 22AWG, 6 conductor cable

2. List of items in one Retrofit Kit

- 106TS load cells, 6 units
- Top cup, 6 units; Bottom cup, 6 units
- Rubber shield, 1 unit; Clamp, 2 units
- Analog summing board, 1 unit
- 6 conductor cable, 22AWG, 100ft (1 roll)

3. Retrofit Kit for Mettler Toledo® MTX

Anyload 106TS load cell (50Klb, 100Klb, 30t) together with top and bottom cups can be used to retrofit MTX load cell as it matches the dimensions as below.



Mounting hardware to be ordered separately.

Part number of Retrofit Kit for MTX	List of items included	Notes to the items
MK6-106TS-50Klb-C1	106TS-50Klb-YZ x 6	Rocker Pin load cell
	106TS-PARTS-C1 x 6	Parts set, each set include 1 x top cup MC106TS-C1-YZ, 1 x bottom cup MB106TS-C1-YZ, 1 x rubber boot (F106TS-2A), 2 x clamps (1 x CLAMS4-1-90, 1 x CLAMS4-1-110).
	J06S-E-21-MB x 1	Signal trim summing board
	CB6-7.6-100ft x 1	Home run cable
MK6-106TS-100Klb-C1	106TS-100Klb-YZ x 6	Rocker Pin load cell
	106TS-PARTS-C1 x 6	Parts set, each set include 1 x top cup MC106TS-C1-YZ, 1 x bottom cup MB106TS-C1-YZ, 1 x rubber boot (F106TS-2A), 2 x clamps (1 x CLAMS4-1-90, 1 x CLAMS4-1-110).
	J06S-E-21-MB x 1	Signal trim summing board
	CB6-7.6-100ft x 1	Home run cable
MK6-106TS-30t-C1	106TS-30t-YZ x 6	Rocker Pin load cell
	106TS-PARTS-C1 x 6	Parts set, each set include 1 x top cup MC106TS-C1-YZ, 1 x bottom cup MB106TS-C1-YZ, 1 x rubber boot (F106TS-2A), 2 x clamps (1 x CLAMS4-1-90, 1 x CLAMS4-1-110).
	J06S-E-21-MB x 1	Signal trim summing board
	CB6-7.6-100ft x 1	Home run cable

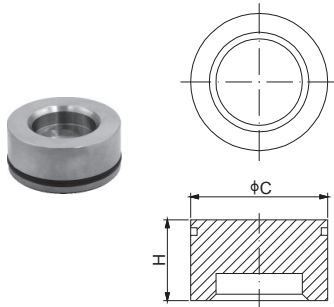
4. Retrofit Kit for Mettler Toledo® PDX (30t, 50t)

Anyload 106TS-SE30t-YZ , or 106TS-SE50t-YZ load cell together with top and bottom cups can be used to retrofit PDX Power cell load cell as it matches the dimensions as below.

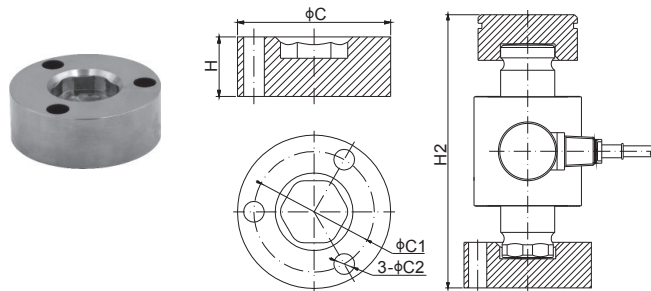
4.1 For PDX 30t, 50t with their standard cups

Mounting variation A:

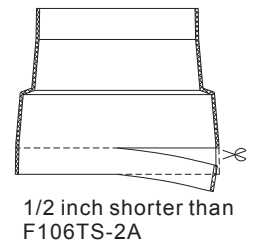
Mounting Cap: MC106TS-A1-YZ



Mounting Base: MB106TS-A1-YZ



Rubber shield:
F106TS-2B



PART NUMBER	RATED CAPACITY	DIMENSIONS							
		C	C1	C2	H	H1	H2	L	W
	t/mm								
MC106TS-A1-YZ	30	69.3	-	-	31.8	-	190.6	-	-
MB106TS-A1-YZ	30	88.9	69.9	12.7	31.8	-	190.6	-	-
	Klb/inches (conversion of above dimensions)								
MC106TS-A1-YZ	66.14	2.73	-	-	1.25	-	7.5	-	-
MB106TS-A1-YZ	66.14	3.50	2.75	0.50	1.25	-	7.5	-	-

Mounting kits:

106TS-PARTS-A1:

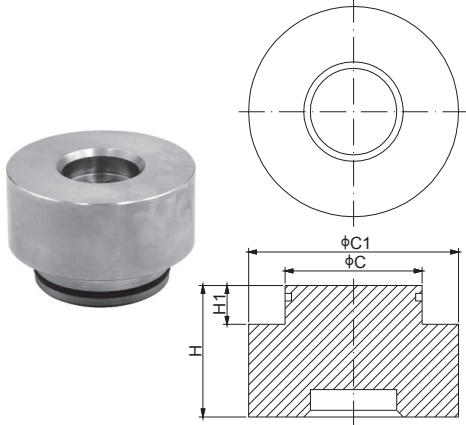
Include 1 x mounting cap (MC106TS-A1-YZ), 1 x mounting base (MB106TS-A1-YZ), 1 x rubber shield (F106TS-2B), 2 x clamps (1 x CLAMS4-1-90, 1 x CLAMS4-1-110)

Part number of Retrofit Kit for PDX with standard cups	List of items included	Notes to the items
MK6-106TS-SE30t-A1	106TS-SE30t-YZ x 6	Rocker Pin load cell
	106TS-PARTS-A1 x 6	Parts set, each set include 1 x top cup MC106TS-A1-YZ, 1 x bottom cup MB106TS-A1-YZ, 1 x rubber boot (F106TS-2B), 2 x clamps (1 x CLAMS4-1-90, 1 x CLAMS4-1-110).
	J06S-E-21-MB x 1	Signal Trim summing box
	CB6-7.6-100ft x 1	Home run cable
MK6-106TS-SE50t-A1	106TS-SE50t-YZ x 6	Rocker Pin load cell
	106TS-PARTS-A1 x 6	Parts set, each set include 1 x top cup MC106TS-A1-YZ, 1 x bottom cup MB106TS-A1-YZ, 1 x rubber boot (F106TS-2B), 2 x clamps (1 x CLAMS4-1-90, 1 x CLAMS4-1-110).
	J06S-E-21-MB x 1	Signal Trim summing board
	CB6-7.6-100ft x 1	Home run cable

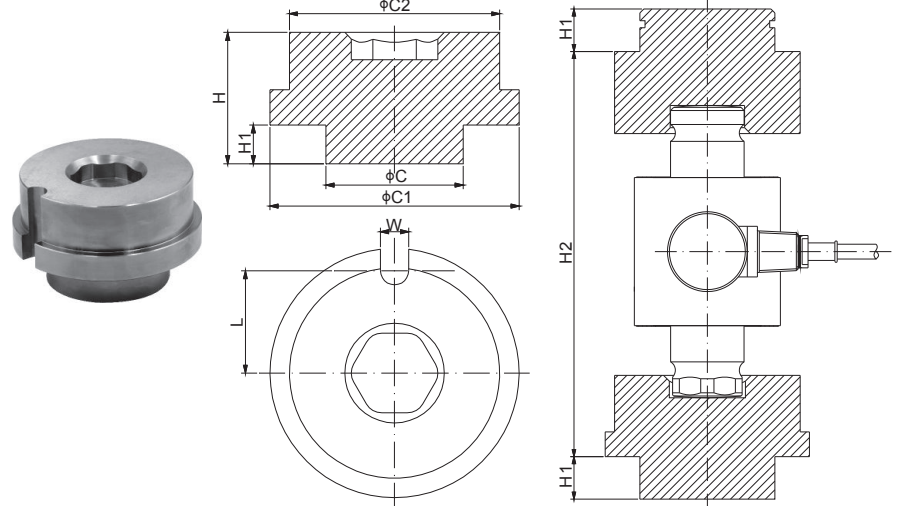
4.2 For PDX 30t, 50t with their retrofit variant (thicker) cups

Mounting variation B:

Mounting Cap: MC106TS-B1-YZ



Mounting Base: MB106TS-B1-YZ



PART NUMBER	RATED CAPACITY	DIMENSIONS							
		C	C1	C2	H	H1	H2	L	W
	t/mm								
MC106TS-B1-YZ	30	69.3	95.3	-	63.5	21.8	207.9	-	-
MB106TS-B1-YZ	30	69.3	104.9	95.3	63.5	21.8	207.9	46.2	12.7
	Klb/inches (conversion of above dimensions)								
MC106TS-B1-YZ	66.14	2.73	3.75	-	2.50	0.86	8.19	-	-
MB106TS-B1-YZ	66.14	2.73	4.13	3.75	2.50	0.86	8.19	1.82	0.50

Mounting kits:

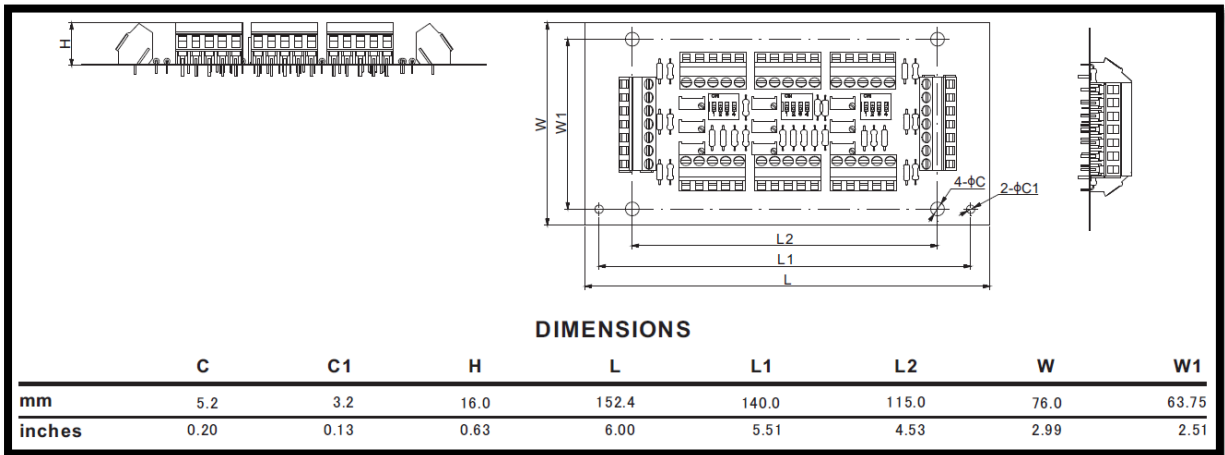
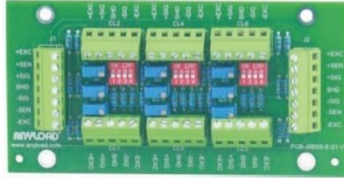
106TS-PARTS-B1:

Include 1 x mounting cap (MC106TS-B1-YZ), 1 x mounting base (MB106TS-B1-YZ), 1 x rubber shield (F106TS-2B), 2 x clamps (1 x CLAMS4-1-90, 1 x CLAMS4-1-110)

Part number of Retrofit Kit for PDX with standard cups	List of items included	Notes to the items
MK6-106TS-SE30t-B1	106TS-SE30t-YZ x 6	Rocker Pin load cell
	106TS-PARTS-B1 x 6	Parts set, each set include 1 x top cup MC106TS-B1-YZ, 1 x bottom cup MB106TS-B1-YZ, 1 x rubber boot (F106TS-2B), 2 x clamps (1 x CLAMS4-1-90, 1 x CLAMS4-1-110).
	J06S-E-21-MB x 1	Signal Trim summing board
	CB6-7.6-100ft x 1	Home run cable
MK6-106TS-SE50t-B1	106TS-SE50t-YZ x 6	Rocker Pin load cell
	106TS-PARTS-B1 x 6	Parts set, each set include 1 x top cup MC106TS-B1-YZ, 1 x bottom cup MB106TS-B1-YZ, 1 x rubber boot (F106TS-2B), 2 x clamps (1 x CLAMS4-1-90, 1 x CLAMS4-1-110).
	J06S-E-21-MB x 1	Signal Trim summing board
	CB6-7.6-100ft x 1	Home run cable

5. Analog Summing Board: J06SS-E-21-MB

- 6 analog load cells can be connected in parallel.
- This signal trim analog summing board can be directly replaced inside the existing MTX/PDX digital junction box.



6. Installation Instructions

1. Jack up each section of the weighbridge and remove the load cell spacers.
2. Check and verify that the areas where the lower load cell bearing cups will be installed are clean and free of dirt and debris.
3. Place the load cells, top and bottom cups properly.
4. Lower the weighbridge in place and verify that the load cell load bearing cups are seated on the top plate properly.
5. Verify the weighbridge is correctly located longitudinally and laterally after all load cells are in placed.
6. Connect the load cell wires to the Anyload analog summing board. Refer the calibration sheet of the load cell to find the wire colors of the load cell and the wiring code of the summing board is printed on the board.
7. If the scale has multiple decks and/or more than 6 load cells, then use another Anyload summing board to connect the extra load cells and connect them to the first summing board through an extension cable.
8. Connect the junction box to the indicator through the home run cable.

Please Contact our Authorized Dealer for Technical Assistance:



North America Toll Free: 1.855.269.5623 (ANYLOAD)
www.anyload.com

