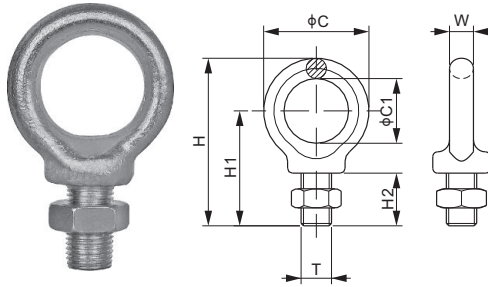


Eyebolt, Alloy Steel

EYE



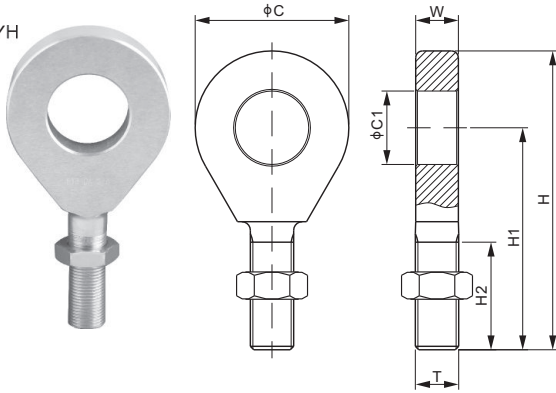
Features:

- Low carbon steel, casted, zinc plated
- One jam nut included

DIMENSIONS

PART NUMBER	C	C1	H	H1	H2	W	T	Safe Working Load	Self Weight Approx. (kg)
inches									
EYE-1/4	1.23	0.67	1.89	1.28	0.62	0.31	1/4-28 UNF	0.7Klb	0.05
EYE-B-1/4	1.00	0.50	1.73	1.20	0.65	0.27	1/4-28 UNF	0.65Klb	0.02
EYE-1/2	1.71	1.02	2.73	2.08	0.97	0.39	1/2-20 UNF	1.3Klb	0.1
EYE-3/4	2.74	1.53	4.11	2.95	1.37	0.63	3/4-16 UNF	5.5Klb	0.4
mm									
EYE-M12	43.5	26	69.5	53	24.5	11	M12X1.75	0.6t	0.1

EYH



Features:

- Medium carbon steel, forged, zinc plated
- One jam nut included

DIMENSIONS

PART NUMBER	C	C1	H	H1	H2	W	T	Safe Working Load	Self Weight Approx. (kg)
inches									
EYH-3/4(Discontinued)	3.11	1.54	5.91	4.35	2.01	0.79	3/4-16 UNF	11Klb	0.8
EYH-1(Discontinued)	3.54	1.69	6.89	5.12	2.48	0.98	1-14 UNS	16.5Klb	1.4
EYH-1-1/4(Discontinued)	4.45	2.09	8.46	6.24	2.95	1.26	1-1/4-12 UNF	22Klb	2.7
EYH-DA-3/4	3.11	1.54	5.91	4.35	2.01	0.79	3/4-16 UNF	11Klb	0.8
EYH-DA-1-1/4	4.45	2.09	8.46	6.24	2.95	1.26	1-1/4-12 UNF	22Klb	2.7
mm									
EYH-M16	79	39	150	110.5	51	20	M16X2.0	2t	0.8
EYH-M18	79	39	150	110.5	51	20	M18X1.5	4t	0.8
EYH-M24	90	43	175	130	63	25	M24X2.0	7.5t	1.4
EYH-M30	113	53	215	158.5	75	32	M30X2.0	10t	2.7
EYH-M36	124	62	238	176	90	40	M36X2.0	18t	3.7
EYH-M42	176	88	316	228	105	48	M42X2.0	25t	3.8

VERTICAL LOAD

