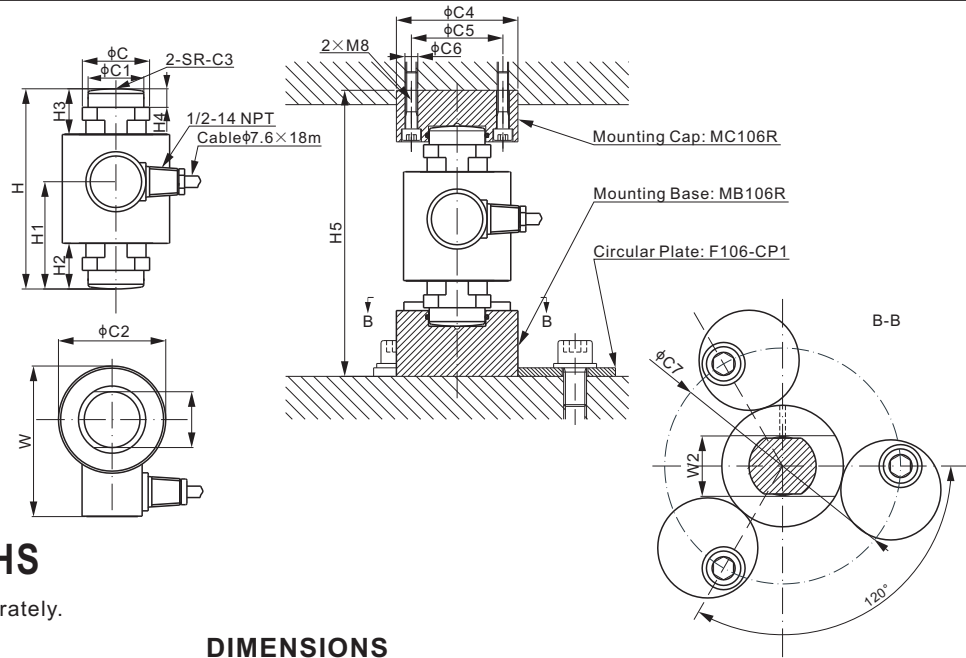


# 106RS

## Stainless Steel



Mounting hardware to be ordered separately.

### DIMENSIONS

RATED CAPACITY	C	C1	C2	C3	C4	C5	C6	C7	H	H1	H2	H3	H4	H5	W	W1	W2
t/mm																	
30	45.8	39.0	75.0	120.0	85.0	64.0	9.0	165.0	140.0	75.0	32.0	32.0	13.0	200.0	105.3	39.0	42.4
40	45.8	39.0	75.0	180.0	85.0	64.0	9.0	165.0	150.0	80.0	37.0	37.0	13.0	200.0	106.0	39.0	42.4
50	56.5	44.0	99.0	280.0	90.0	70.0	9.0	170.0	178.0	94.0	34.0	34.0	17.0	240.0	129.0	44.0	47.5
lb/inches (conversion of above dimensions)																	
66,138.7	1.80	1.54	2.99	4.72	3.35	2.52	0.35	6.50	5.51	2.95	1.26	1.26	0.51	7.87	4.15	1.54	1.67
88,184.9	1.80	1.54	2.99	7.09	3.35	2.52	0.35	6.50	5.91	3.15	1.46	1.46	0.51	7.87	4.17	1.54	1.67
110,231.1	2.22	1.73	3.90	11.02	3.55	2.76	0.35	7.70	7.01	3.70	1.34	1.34	0.67	9.46	5.08	1.73	1.87

### SPECIFICATIONS

<b>Full Scale Output</b>	2.0 mV/V $\pm$ 0.1%	<b>Recommended Excitation</b>	10V (15V Maximum)
<b>Zero Balance</b>	$\pm$ 0.02 mV/V	<b>Insulation Resistance</b>	>2 [ 50V DC ] G $\Omega$
<b>Non-linearity</b>	< $\pm$ 0.023%	<b>Compensated Temperature Range</b>	-10°C to 50°C / 14°F to 122°F
<b>Repeatability</b>	< $\pm$ 0.017%	<b>Safe Overload</b>	150% of full scale
<b>Hysteresis Error</b>	< $\pm$ 0.020%	<b>Breaking Overload</b>	300% of full scale
<b>Creep in 30 min.</b>	< $\pm$ 0.020%	<b>Seal Type / IP Rating</b>	Welded Seal / IP68
<b>Input Resistance</b>	1150 $\Omega$ $\pm$ 50	<b>Cable Color Code</b>	Exc+ Red      Exc- Black Sig+ Green    Sig- White Shield Bare
<b>Output Resistance</b>	1000 $\Omega$ $\pm$ 2		
<b>Element Material</b>	2Cr13 Stainless Steel		

### PART NUMBER\*\*

Load Cell	Rated Capacity	Part No.	Weight (kg) Approx.
	30t.....	106RS-30t-YZ.....	4.2
	40t.....	106RS-40t-YZ.....	3.9
	50t.....	106RS-50t-YZ.....	5.2
Mounting Hardware			
Alloy Steel	Load Cell Capacity	Part No.	Weight (kg) Approx.
Mounting Cap.....	(30-40)t.....	MC106RH-(30-40)t.....	1.4
	50t.....	MC106RH-50t.....	2.0
Mounting Base.....	30t.....	MB106RH-30t.....	2.1
	40t.....	MB106RH-40t.....	1.6
	50t.....	MB106RH-50t.....	2.2
Circular Plate*.....	(30-50)t.....	F106-CP1-H.....	1.2

### INTERCHANGEABLE REFERENCE

Manufacturer	Model
Coti Global.....	CG-26S6
FAIRBANKS.....	LCF HR4020-2A(30t), part number 70510
FLINTEC.....	RC3



NTEP 1:10 000 Class III L, Multiple Cell



OIML MAA C3, Y=16 000

\* When ordering mounting hardware, each load cell needs 1 x cap, 1 x base, 3 x circular plates.

\*\*ATEX, FM, IECEx approved versions carry the "-Ex" suffix.